

THE PROOF IS ON THE INSIDE

Visit Poly-Fil
on the Web



MVERICK

RECYCLER SYSTEM

PARTS CATALOG

Customer Service: (866) 4-POLYFIL
www.polyfil.com



POLY-FIL™

FLAT-PROOFING



TIRE-FILL PARTS AND ACCESSORIES



MVERICK
RECYCLER SYSTEM

POLYFIL
FLAT-PROOFING

TIRE-FILL PARTS AND ACCESSORIES



PF50026
- 3/8 in. Male Quick Connect Coupling MNPT



PF50058
- 3/8 in. Male Insert Quick Coupling MNPT



PF50051
- 3/4 in. Female Quick Coupling FNPT



PF50021
- 3/4 in. Male Insert Quick Coupling MNPT



PF50017
- CMM20B - 3/8 in. Check Valve



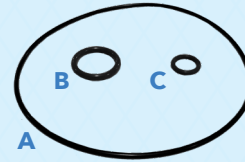
PF50013
- 3/8 in. Recirculation Valve



PF50027
- 3-Way Ball Valve



PF50040
- 1 in. Brass Ball Valve



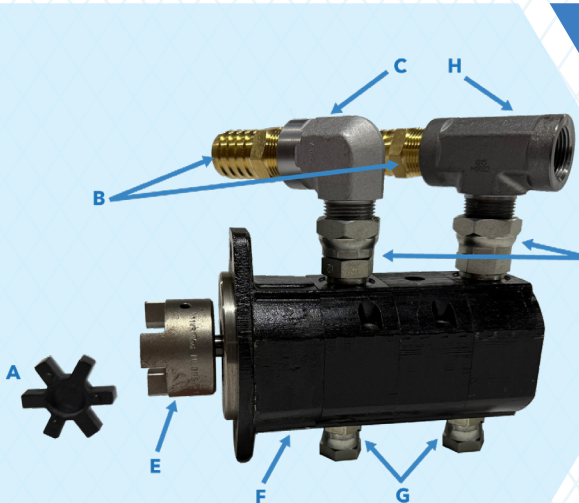
O-Rings
A) PF70007 - Torque Hub Adapter
B) PF50135 - 7/8 in. Viton
C) PF50136 - 1/2 in. Viton Ring



PF50005
- 1/2 in. Static Mixing Element



PF50006
- 1/2 in. Mixing Tube



Liquid Pumping System

- A) PF70013 - L095 Shaft Coupler Spider Buna
- B) PF50012 - 1 in. Hose Barb 3/4 in. MNPT
- C) PF50198 - 3/4 in. Male Pipe Elbow
- D) PF50002 - 6900-08-12 Pump Swivel Fitting-IN
- E) PF70014 - L095 1/2 in. Shaft Coupler
- F) PF50001 - 1003829 Concentric Pump
- G) PF50002 - 6900-08-06 Pump Swivel Fitting-OUT
- H) PF50029 - 3/4 in. Tee

Scan QR Code to visit us on the web



TIRE-FILL PARTS AND ACCESSORIES



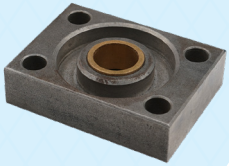
PF50036
- 1 in. Pipe Nipple



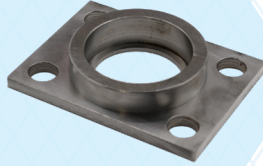
PF50037
- 1 in. Pipe Tee



PF50035
- 1" X 6" Pipe



PF70023
- 1.75 in. Barrel Block



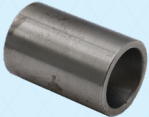
PF50189
- Maverick Screw
Single Bearing
Housing



PF70003
- 1.75 in. Barrel Block

PF70022
- Bearing

PF70010
- Bearing



PF70016
- Screw Shaft
Spacer



A) PF70015
Maverick Dual Bearing
Screw Housing

B) PF70009
Cone Bearing

C) PF70008
Bearing Race

D) PF70010
Sealed Bearing

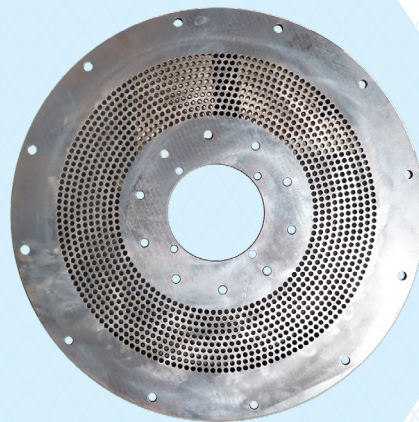
E) PF70021
Snap Ring



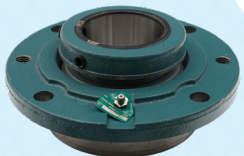
PF70006
- Torque Hub



PF70002
- 1.75 Injector
Screw



PF70001
- Grinder Plate



PF70026
- Auger Bearing

**MAKING
FLATS
A
THING
OF
THE
PAST**

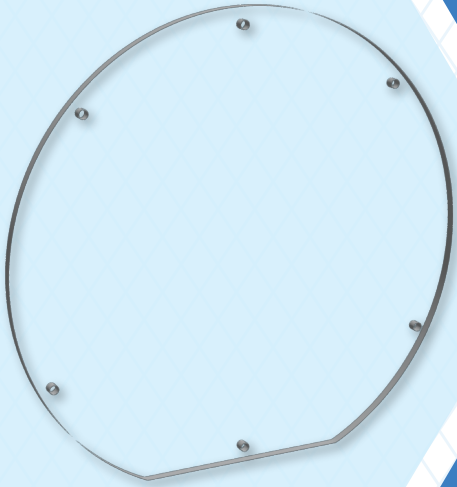


PF70011
- 110 Belt

TIRE-FILL PARTS AND ACCESSORIES

PF70034

- Hopper Cover
- 3/8 in. Polycarbonate



PF90002

- Pressure Transmitter



**THE PROOF
IS ON THE
INSIDE**

Hoses



A) PF60007
- 3/8 in. X 2 ft.
- Female Swivels
B) PF60003
- 1 in. X 3 ft.
- Male Swivels
C) PF60004
- 1 in. X 3 ft.
- Male/Female Swivels

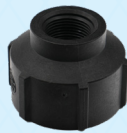
PF40001

- 1 in. Banjo
Cam
Coupling



PF40003

- 2 in. X 1 in.
Banjo
Bushing



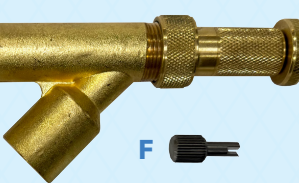
PF40004

- 1 in. Banjo
Cam Adapter



PF40002

- 1 in. Banjo
Hose Bard



A) PF50052
HalTec Gun Assembly Kit
B) PF50166
Ejector Union
C) PF50009
Adapter for Standard Bore
D) PF50172
Teflon Washer
E) PF50165
Standard Core Remover
F) PF50163
Large Core Remover

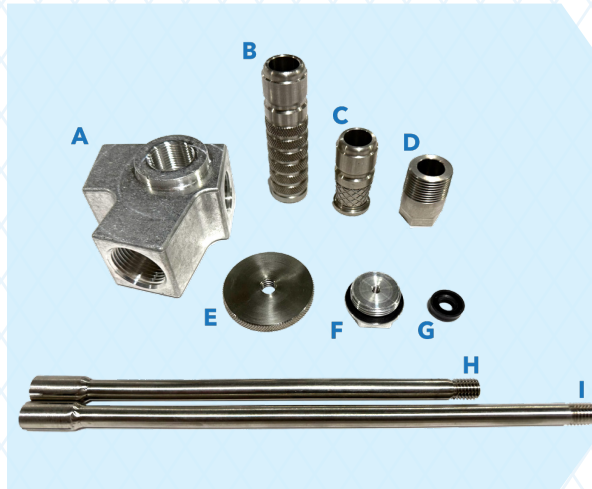
ACCEPTING



Customer Service: (866) 4-POLYFIL

TIRE-FILL PARTS AND ACCESSORIES

**Making
Flats
a
Thing
of
the
Past!**



Fill Gun Assembly

- A) PF50007 - Fill Gun Body
- B) PF50010 - Extended Length Valve Stem Adapter
- C) PF50011 - Standard Length Valve Stem Adapter
- D) PF50161 - Bushing Assembly
- E) PF50143 - Thumb Wheel
- F) PF60024 - Alluminum Plug Gun Body
- G) PF50060 - Rod-Sealing Wiper
- H) PF50162 - Standard Length Push Rod
- I) PF50137 - Extended Length Push Rod

POLYFILTM
FLAT-PROOFING



Customer Service:
(866) 4-POLYFIL